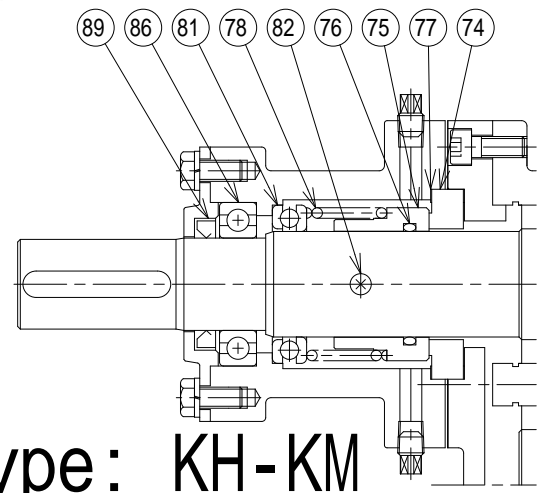
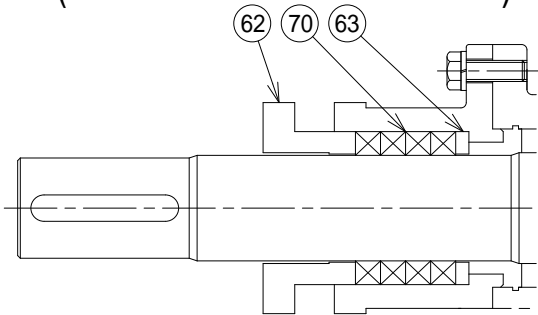


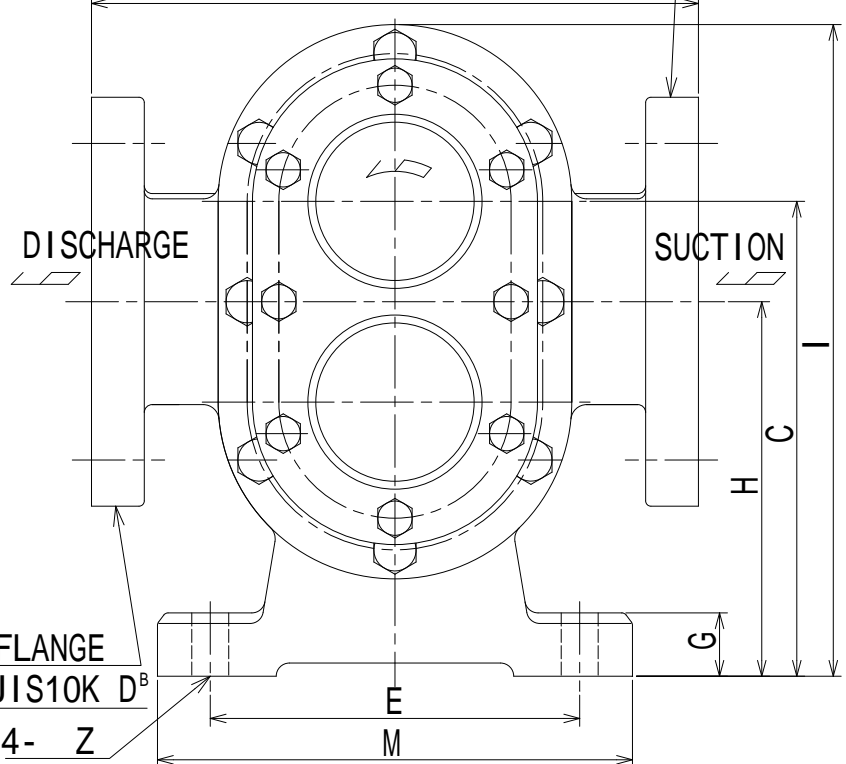
**Type: KH-M**  
(INSIDE MECHANICAL SEAL)



**Type: KH-KM**  
(OUTSIDE MECHANICAL SEAL)



**Type: KH**  
(GLAND PACKING)



|     |                      |        |                  |     |                     |        |                 |     |                     |        |                   |
|-----|----------------------|--------|------------------|-----|---------------------|--------|-----------------|-----|---------------------|--------|-------------------|
| 70  | GLAND PACKING        | 1SET   | CARBONIZED FIBER | 77  | MECH. PACKING       | 2      | PTFE            | 14  | GEAR                | 2      | S45C              |
| 63  | GLAND P/K.SUPPORTER  | 1      | S45C             | 76  | MECH. O-RING        | 1      | NBR             | 10  | DRIVEN SHAFT        | 1      | SCM435H HARDENING |
| 62  | GLAND                | 1      | FC250            | 75  | MECH. ROTATION RING | 1      | SUS304/METC016C | 9   | DRIVE SHAFT         | 1      | SCM435H HARDENING |
| 89  | MECH. B. OIL SEAL    | 1      | NBR              | 74  | MECH. SEAL RING     | 1      | CARBON          | 5A  | REAR COVER PACKING  | 1      | PACKING PAPER     |
| 88  | MECH. B. STOP RING   | 1      | SWP              | 65  | GLAND COVER         | 1      | FC250           | 5   | REAR COVER          | 1      | FC250             |
| 86  | MECH. BALL BEARING   | 1      | SUJ              | 61  | GLAND CASE          | 1      | FC250           | 4   | F.B. COVER          | 1      | FC250             |
| 82  | MECH. COUPLER        | 1      | SUS304           | 60  | KEY                 | 1      | S45C            | 2A  | FRONT COVER PACKING | 1      | PACKING PAPER     |
| 81  | MECH. THRUST BEARING | 1      | SUJ              |     |                     |        |                 | 2   | FRONT COVER         | 1      | FC250             |
| 78  | MECH. SPRING         | 1      | SWP              | 18  | SIDE PLATE METAL    | 4      | BC6             | 1A  | CASE PACKING        | 2      | PACKING PAPER     |
| No. | NAME                 | QUANT. | MATERIAL         | No. | NAME                | QUANT. | MATERIAL        | No. | NAME                | QUANT. | MATERIAL          |
|     |                      |        |                  |     |                     |        |                 | 1   | CASE                | 1      | FC250             |