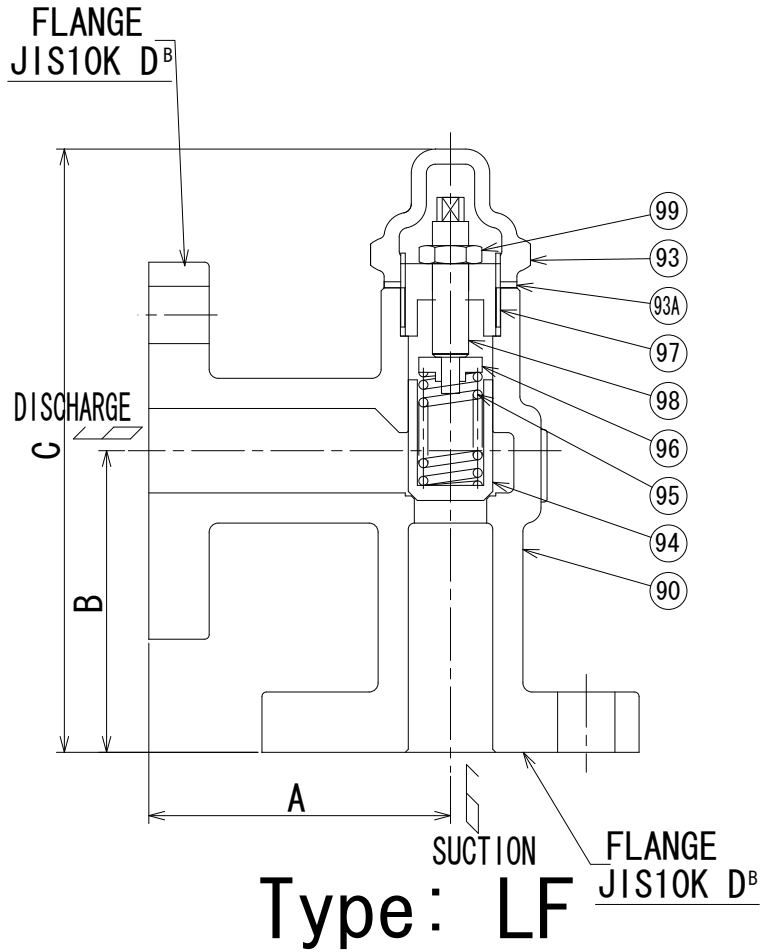
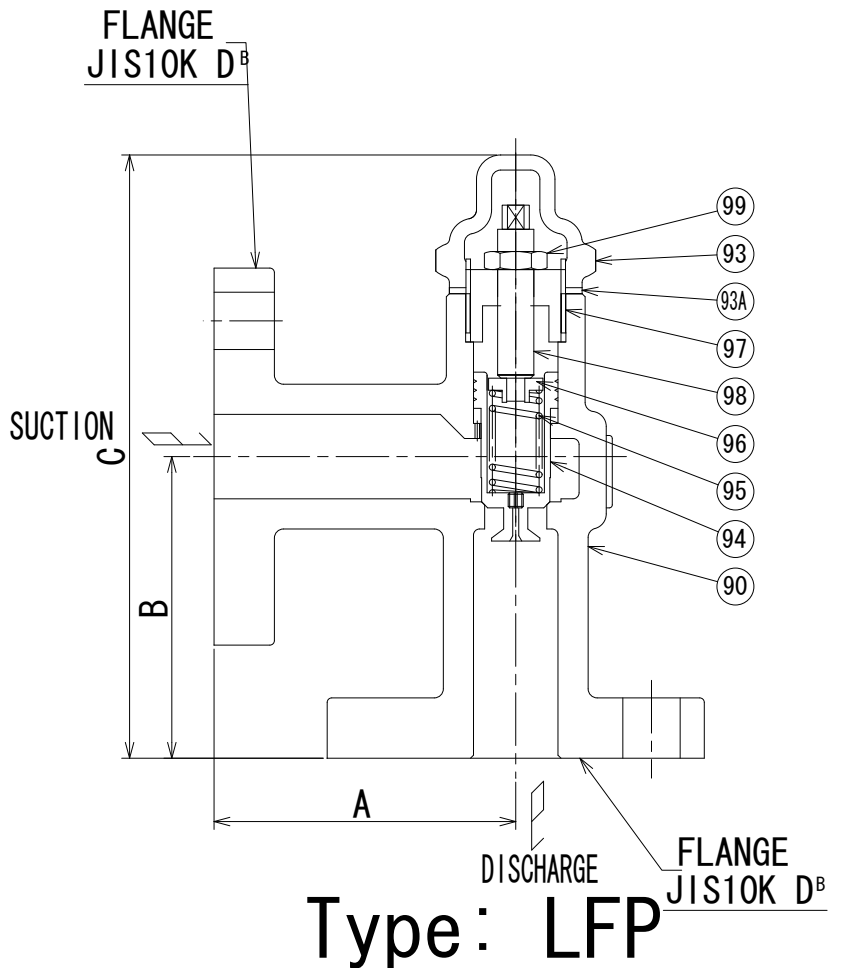


Type: L



Type: LF



Type: LFP

99	RV. LOCK NUT	1	SS400
98	RV. ADJUST. SCREW	1	SS400
97	RV. GUIDE SCREW	1	S45C
96	RV. SP. SUPPORTER	1	S45C
95	RV. SPRING	1	SWP
94	RV. VALVE	1	S45C
93A	RV. CAP PACKING	1	ARAMID FIBER
93	RV. CAP	1	FC250
90	SAFETY VALVE CASE	1	FC250
No.	NAME	QUANT.	MATERIAL